

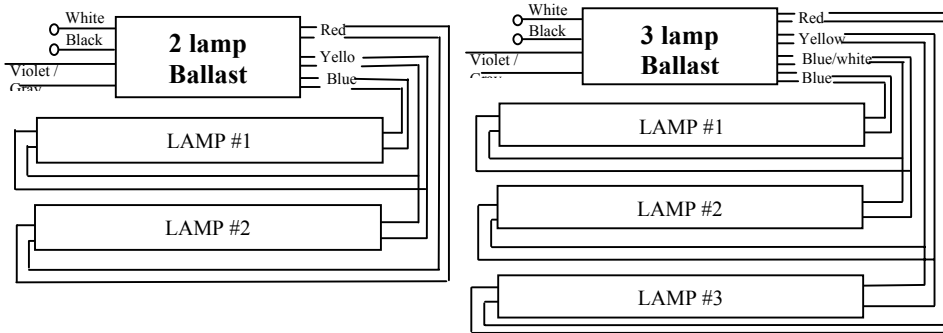
- High Light Output – Ballast Factor 1.18 and Normal Light Output - Ballast Factor 0.875
- Program Rapid Start operation for extended lamp life
- Universal voltage operation 120~277VAC
- Meets Energy Efficiency guidelines - CEE
- Five year product warranty
- Small Enclosure size for newer fixture designs
- Commercial Grade Quality, UL approved (high power factor, low THD)



ELB Plus Program Rapid Start ballast operates industry standard T8-32W lamps. Program starting of lamps provide extended lamp life over instant start models when using occupancy sensor control. The high output 1.18 ballast factor model is an excellent choice for fluorescent high bay applications. The universal input voltage operation reduces stock and job site ordering mistakes. ELB Plus quality produced products are covered under an industry standard 5year product warranty.

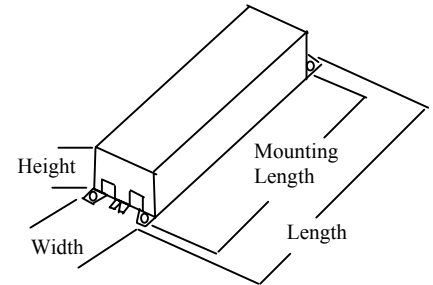
### Wiring Configuration

All ballast shipped with Leads Only (No Connectors provided)



### Enclosure

Overall Dimensions:  
9.5”L x 1.68” W x 1.18”H  
Mounting: 8.90”



### Supported Lamps:

- Designed to operate in fluorescent lighting fixture applications.
- Primary lamp type – FO32 (T8), FBO32 (T8), FBO31 (T8)
- Also Operates – FO17, FO25, FBO16, FBO24

### Ordering Information and Ballast Specifications:

Product Number	Description	Input Voltage (VAC)	Input Current (Amps)	Lamp Type	No. of Lamps	Ballast Factor (BF)	Input Watts (W)	Ballast Efficacy (BEF)
ELB-3L-32 PRSH120~277	3 lamp T8 32W Program Rapid Start	120	0.98	FO32	3	1.18	117.3	>1.0
		277	0.42				116.4	
ELB-3L-32 PRSN 120~277	3 lamp T8 32W Program Rapid Start	120	0.72	FO32	3	0.87	86.2	>1.0
		277	0.31				85.1	
ELB-2L-32 PRSH20~277	2 lamp T8 32W Program Rapid Start	120	0.65	FO32	2	1.18	78.0	1.51
		277	0.27				74.9	
ELB-2L-32 PRSN120~277	2 lamp T8 32W Program Rapid Start	120	0.49	FO32	2	0.87	58.4	1.51
		277	0.21				57.9	

Note: Data shown based on independent lab tests and results could vary depending on lamp manufacture